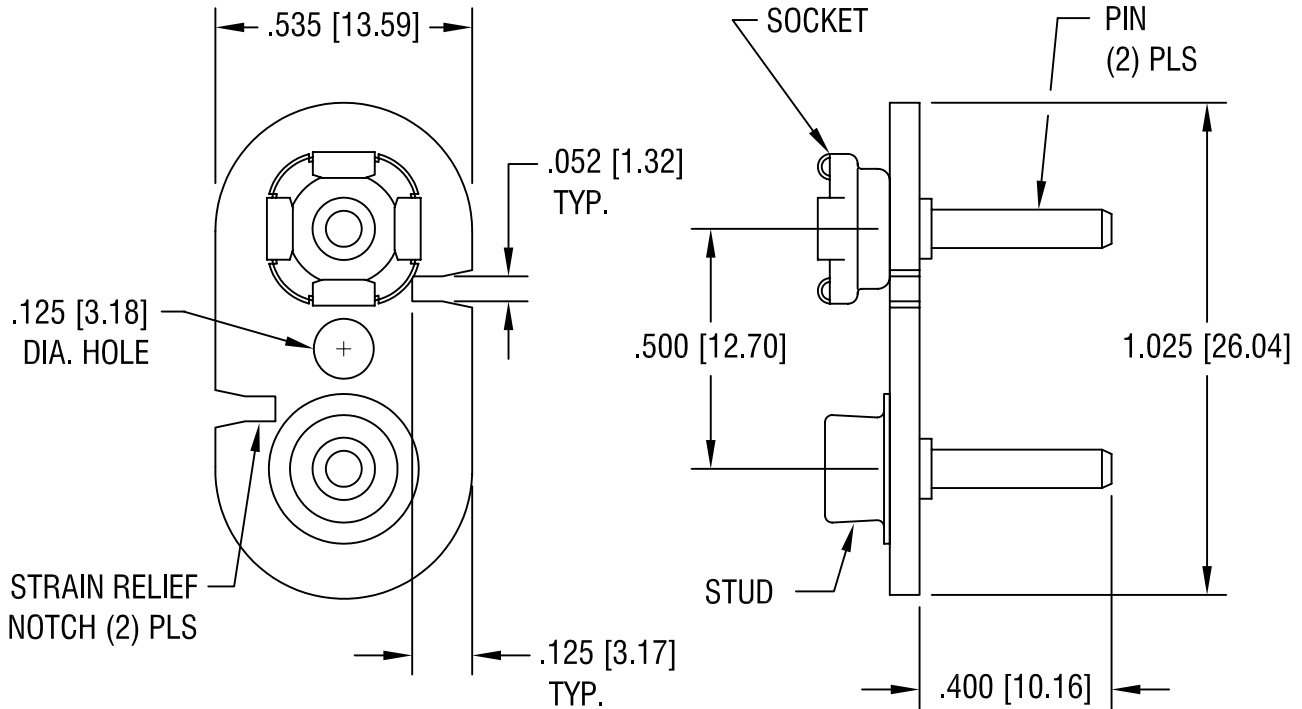
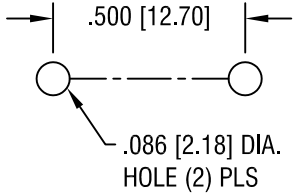


THIS DOCUMENT IS THE PROPERTY OF  
KEYSTONE ELECTRONICS CORP. AND  
SHALL NOT BE REPRODUCED, DISTRIBUTED  
OR USED AS A BASIS FOR MANUFACTURE  
WITHOUT PRIOR WRITTEN PERMISSION  
FROM KEYSTONE ELECTRONICS CORP.

**MOUNTING DETAIL**



**NOTES:**

- 1. BASE: MAT'L - .062 [1.57] TH'K FIBRE
- CONTACT: MAT'L - STEEL, NICKEL PLATE
- PIN: MAT'L - .080 [2.03] DIA. BRASS, TIN PLATE

**KEYSTONE ELECTRONICS CORP.**

ASTORIA, N.Y. 11105-2017

PART NAME			
9V PC BATTERY CONNECTOR			
MATERIAL			
AS NOTED			
FINISH		DRN BY	DATE
AS NOTED		BOONE	5.20.96
		APP'D	SCALE
		LN	2.5X
TOLERANCES	INCH [MM]	CODE	DWG NO.
DECIMAL	± .010 [± 0.25]	C	968
ANGULAR	± 1°		
UNLESS OTHERWISE SPECIFIED			

10.17.06	CHANGE AS PER ECN 06-067	B
DATE	DESCRIPTION	REV.