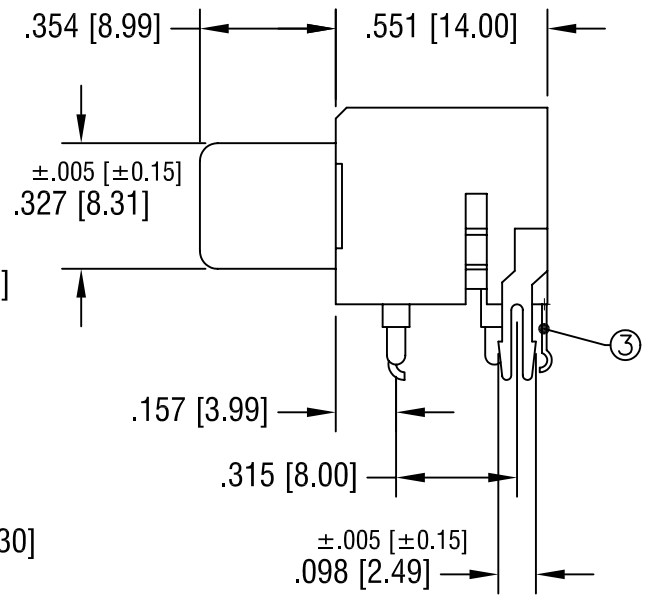
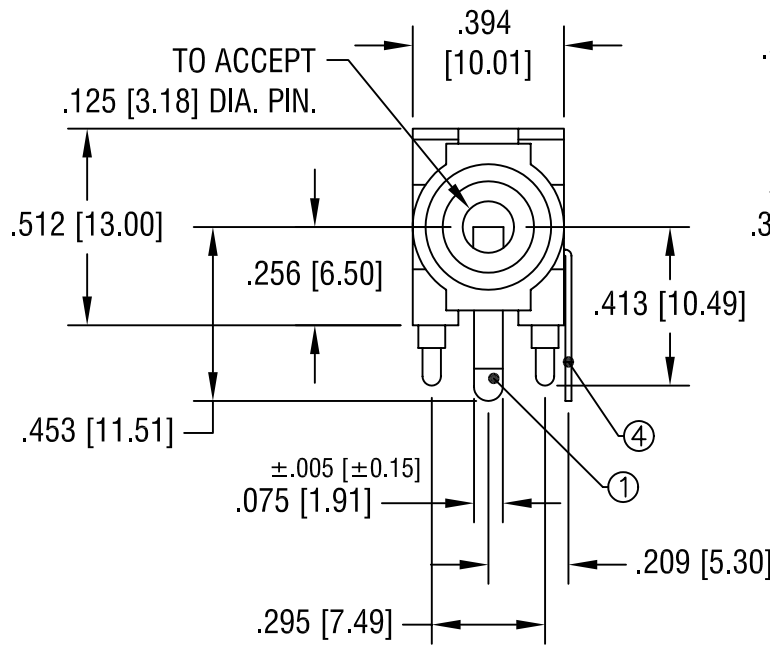
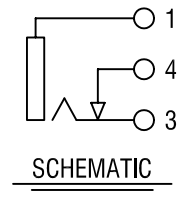
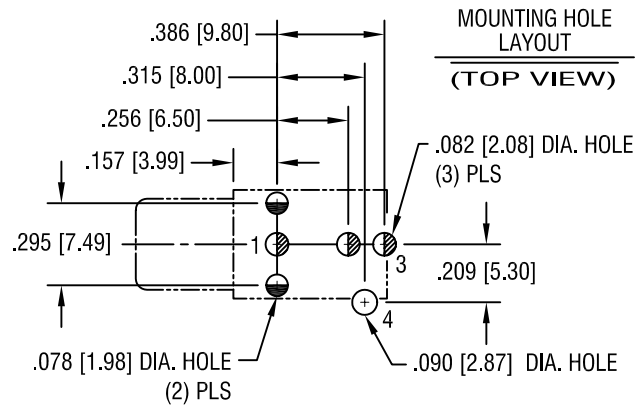


THIS DOCUMENT IS THE PROPERTY OF KEYSTONE ELECTRONICS CORP. AND SHALL NOT BE REPRODUCED, DISTRIBUTED OR USED AS A BASIS FOR MANUFACTURE WITHOUT PRIOR WRITTEN PERMISSION FROM KEYSTONE ELECTRONICS CORP.



PART NO.	COLOR
970	WHITE
971	RED
972	BLACK
973	YELLOW

NOTES:

HOUSING: PBT

- ① EARTH TERMINAL: .020 [0.5] TH'K BRASS
NICKEL PLATE
- ③ SPRING: .012 [0.3] TH'K
PHOSPHOR BRONZE
SILVER PLATE
- ④ CONTACT: .016 [0.4] TH'K BRASS
SILVER PLATE

KEYSTONE ELECTRONICS CORP.

ASTORIA, N.Y. 11105-2017

PART NAME			
CLOSED CIRCUIT PC JACK			
MATERIAL			
AS NOTED			
FINISH		DRN BY	DATE
AS NOTED		BOONE	1.7.97
		APPD	SCALE
		LN	2X
TOLERANCES	INCH	[MM]	CODE
DECIMAL	±.010	[±0.25]	C/M
ANGULAR	± 1°		
UNLESS OTHERWISE SPECIFIED			DWG NO.
			970-973

4.1.03 CHANGE AS PER ECN 03-026 A

DATE	DESCRIPTION	REV.