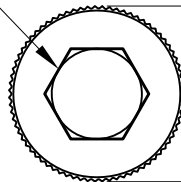


THIS DOCUMENT IS THE PROPERTY OF
KEYSTONE ELECTRONICS CORP. AND
SHALL NOT BE REPRODUCED, DISTRIBUTED
OR USED AS A BASIS FOR MANUFACTURE
WITHOUT PRIOR WRITTEN PERMISSION
FROM KEYSTONE ELECTRONICS CORP.

ACTUAL SIZE

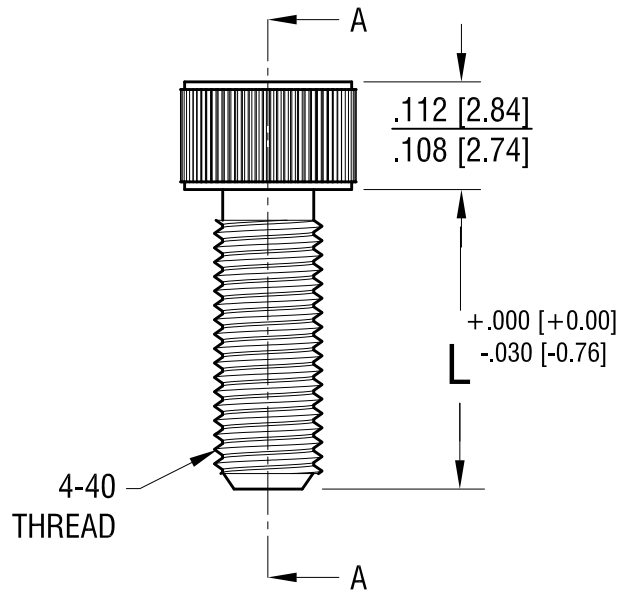
HEXAGON SOCKET
SIZE .094[2.39]



$\frac{\varnothing.183 [4.65]}{\varnothing.176 [4.47]}$
OVER KNURL



P/N 21405



PART NUMBER	$\begin{matrix} L \\ +.000 [+0.000] \\ -.030 [-0.76] \end{matrix}$
21403	.187 [4.75]
21404	.250 [6.35]
21405	.312 [7.92]
21406	.375 [9.52]
21408	.500 [12.70]
21410	.625 [15.87]
21412	.750 [19.04]

KEYSTONE ELECTRONICS CORP.

www.keyelco.com • NEW HYDE PARK, NY 11040 • Tel (516) 328-7500

PART NAME

SOCKET HEAD SCREW

MATERIAL

TITANIUM, GRADE 2

FINISH

NONE

DRN BY

NT

DATE

9.10.20

APP'D

RH

SCALE

6X

TOLERANCES

INCH [MM]

DECIMAL $\pm .005$ [± 0.13]

ANGULAR $\pm 1^\circ$

UNLESS OTHERWISE SPECIFIED

CODE

C

DWG NO.

21403 - 21412

DATE

DESCRIPTION

REV.