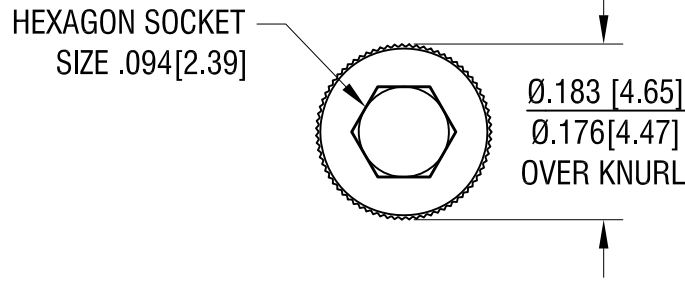
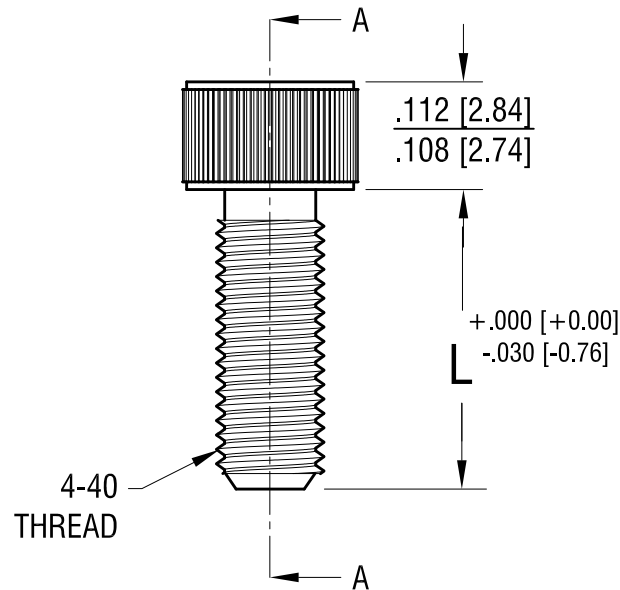


THIS DOCUMENT IS THE PROPERTY OF  
KEYSTONE ELECTRONICS CORP. AND  
SHALL NOT BE REPRODUCED, DISTRIBUTED  
OR USED AS A BASIS FOR MANUFACTURE  
WITHOUT PRIOR WRITTEN PERMISSION  
FROM KEYSTONE ELECTRONICS CORP.

**ACTUAL SIZE**



P/N 21405



PART NUMBER	L +.000 [+0.000] -.030 [-0.76]
21403	.187 [4.75]
21404	.250 [6.35]
21405	.312 [7.92]
21406	.375 [9.52]
21408	.500 [12.70]
21410	.625 [15.87]
21412	.750 [19.04]

**KEYSTONE ELECTRONICS CORP.**

www.keyelco.com • NEW HYDE PARK, NY 11040 • Tel (516) 328-7500

PART NAME				SOCKET HEAD SCREW	
MATERIAL				TITANIUM, GRADE 2	
FINISH		DRN BY	DATE	APP'D	
NONE		NT	9.10.20	RH	
TOLERANCES		INCH [MM]		CODE	
DECIMAL		± .005 [± 0.13]		C	
ANGULAR		± 1°		DWG NO.	
UNLESS OTHERWISE SPECIFIED				21403 - 21412	

DATE	DESCRIPTION	REV.