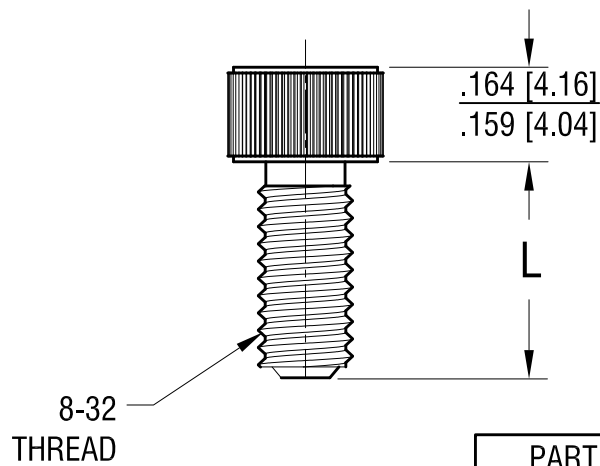
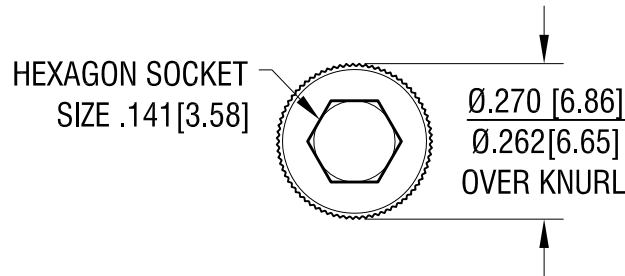


THIS DOCUMENT IS THE PROPERTY OF  
KEYSTONE ELECTRONICS CORP. AND  
SHALL NOT BE REPRODUCED, DISTRIBUTED  
OR USED AS A BASIS FOR MANUFACTURE  
WITHOUT PRIOR WRITTEN PERMISSION  
FROM KEYSTONE ELECTRONICS CORP.

**ACTUAL SIZE**



P/N 21806



|             |                                   |
|-------------|-----------------------------------|
| PART NUMBER | L +.000 [+0.000]<br>-.030 [-0.76] |
| 21804       | .250 [6.35]                       |
| 21806       | .375 [9.52]                       |
| 21808       | .500 [12.70]                      |
| 21810       | .625 [15.87]                      |
| 21812       | .750 [19.04]                      |
| 21816       | 1.000 [25.40]                     |
| PART NUMBER | L +.000 [+0.000]<br>-.040 [-1.02] |
| 21820       | 1.250 [31.73]                     |

**KEYSTONE ELECTRONICS CORP.**  
www.keyelco.com • NEW HYDE PARK, NY 11040 • Tel (516) 328-7500

PART NAME: SOCKET HEAD SCREW

MATERIAL: TITANIUM, GRADE 2

|              |            |               |
|--------------|------------|---------------|
| FINISH: NONE | DRN BY: NT | DATE: 9.10.20 |
|              | APP'D: RH  | SCALE: 3X     |

|                            |                 |      |               |
|----------------------------|-----------------|------|---------------|
| TOLERANCES                 | INCH [MM]       | CODE | DWG NO.       |
| DECIMAL                    | ± .005 [± 0.13] | C    | 21804 - 21820 |
| ANGULAR                    | ± 1°            |      |               |
| UNLESS OTHERWISE SPECIFIED |                 |      |               |

|      |             |      |
|------|-------------|------|
| DATE | DESCRIPTION | REV. |
|------|-------------|------|