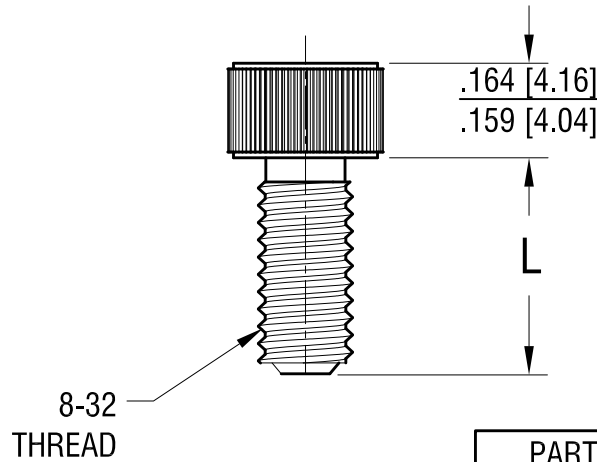
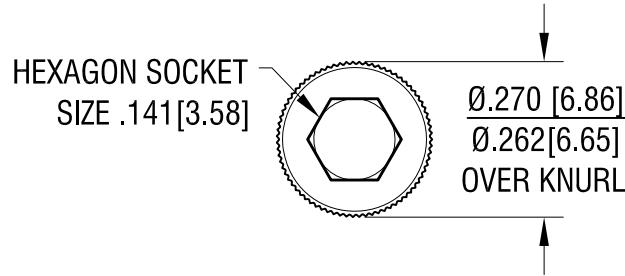


THIS DOCUMENT IS THE PROPERTY OF
KEYSTONE ELECTRONICS CORP. AND
SHALL NOT BE REPRODUCED, DISTRIBUTED
OR USED AS A BASIS FOR MANUFACTURE
WITHOUT PRIOR WRITTEN PERMISSION
FROM KEYSTONE ELECTRONICS CORP.

ACTUAL SIZE



P/N 21806



PART NUMBER	L +.000 [+0.000] -.030 [-0.76]
21804	.250 [6.35]
21806	.375 [9.52]
21808	.500 [12.70]
21810	.625 [15.87]
21812	.750 [19.04]
21816	1.000 [25.40]
PART NUMBER	L +.000 [+0.000] -.040 [-1.02]
21820	1.250 [31.73]

KEYSTONE ELECTRONICS CORP.			
www.keyelco.com • NEW HYDE PARK, NY 11040 • Tel (516) 328-7500			
PART NAME			
SOCKET HEAD SCREW			
MATERIAL			
TITANIUM, GRADE 2			
FINISH		DRN BY	DATE
NONE		NT	9.10.20
		APP'D	SCALE
		RH	3X
TOLERANCES	INCH [MM]	CODE	DWG NO.
DECIMAL	± .005 [± 0.13]	C	21804 - 21820
ANGULAR	± 1°		
UNLESS OTHERWISE SPECIFIED			

DATE	DESCRIPTION	REV.	
------	-------------	------	--