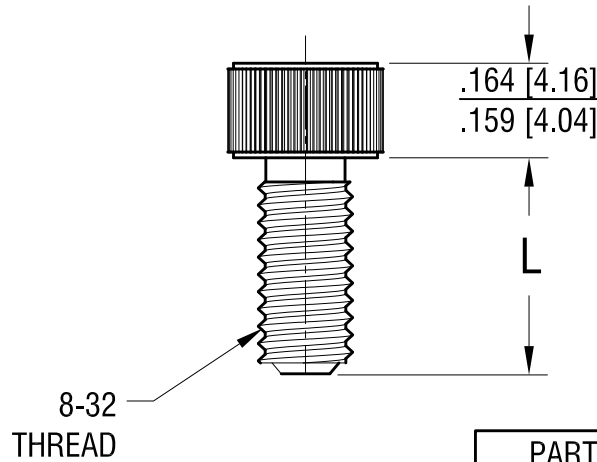
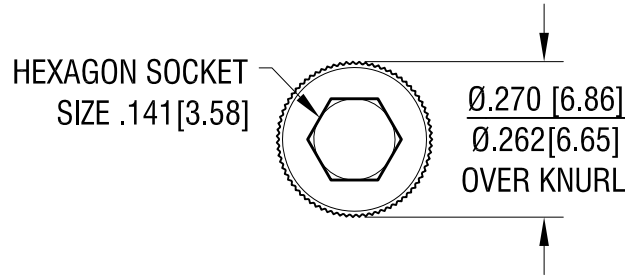


THIS DOCUMENT IS THE PROPERTY OF  
KEYSTONE ELECTRONICS CORP. AND  
SHALL NOT BE REPRODUCED, DISTRIBUTED  
OR USED AS A BASIS FOR MANUFACTURE  
WITHOUT PRIOR WRITTEN PERMISSION  
FROM KEYSTONE ELECTRONICS CORP.

**ACTUAL SIZE**



P/N 21806



PART NUMPER	L +.000 [+0.000] -.030 [-0.76]
21804	.250 [6.35]
21806	.375 [9.52]
21808	.500 [12.70]
21810	.625 [15.87]
21812	.750 [19.04]
21816	1.000 [25.40]
PART NUMPER	L +.000 [+0.000] -.040 [-1.02]
21820	1.250 [31.73]

**KEYSTONE ELECTRONICS CORP.**

www.keyelco.com • NEW HYDE PARK, NY 11040 • Tel (516) 328-7500

PART NAME

SOCKET HEAD SCREW

MATERIAL

TITANIUM, GRADE 2

FINISH

NONE

DRN BY

NT

DATE

9.10.20

APP'D

RH

SCALE

3X

TOLERANCES

INCH

[MM]

DECIMAL  $\pm .005$  [ $\pm 0.13$ ]

ANGULAR  $\pm 1^\circ$

UNLESS OTHERWISE SPECIFIED

CODE

C

DWG NO.

21804 - 21820

DATE

DESCRIPTION

REV.