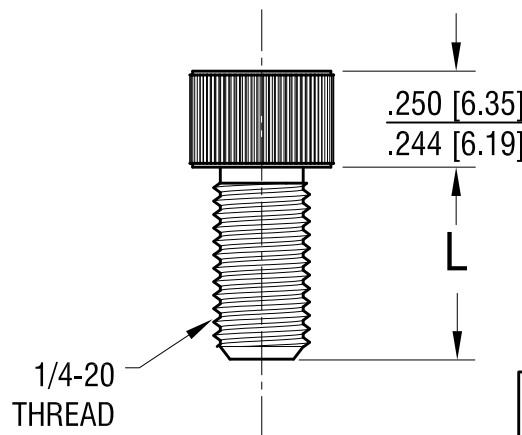
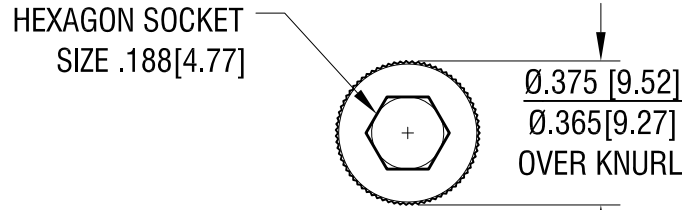


THIS DOCUMENT IS THE PROPERTY OF
KEYSTONE ELECTRONICS CORP. AND
SHALL NOT BE REPRODUCED, DISTRIBUTED
OR USED AS A BASIS FOR MANUFACTURE
WITHOUT PRIOR WRITTEN PERMISSION
FROM KEYSTONE ELECTRONICS CORP.

ACTUAL SIZE



P/N 2908



PART NUMPER	L +.000 [+0.000] -.030 [-0.76]
21904	.250 [6.35]
21906	.375 [9.52]
21908	.500 [12.70]
21910	.625 [15.87]
21912	.750 [19.04]
21914	.875 [22.21]
21916	1.000 [25.40]
PART NUMPER	L +.000 [+0.000] -.040 [-1.02]
21918	1.125 [28.56]

KEYSTONE ELECTRONICS CORP.

www.keyelco.com • NEW HYDE PARK, NY 11040 • Tel (516) 328-7500

PART NAME				SOCKET HEAD SCREW			
MATERIAL				TITANIUM, GRADE 2			
FINISH		DRN BY		DATE		APP'D	
NONE		NT		9.10.20		RH	
TOLERANCES		INCH		[MM]		CODE	
DECIMAL		± .005		[± 0.13]		DWG NO.	
ANGULAR		± 1°		UNLESS OTHERWISE SPECIFIED		C	
				21904 - 21918			

DATE	DESCRIPTION	REV.
------	-------------	------