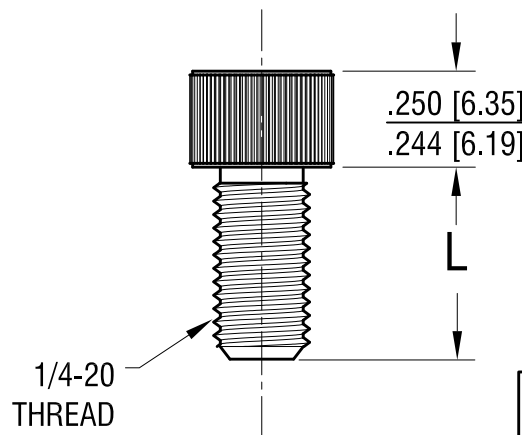
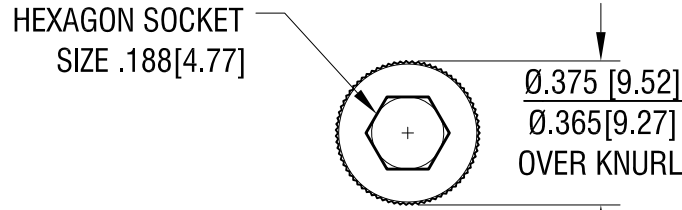


THIS DOCUMENT IS THE PROPERTY OF  
KEYSTONE ELECTRONICS CORP. AND  
SHALL NOT BE REPRODUCED, DISTRIBUTED  
OR USED AS A BASIS FOR MANUFACTURE  
WITHOUT PRIOR WRITTEN PERMISSION  
FROM KEYSTONE ELECTRONICS CORP.

ACTUAL SIZE



P/N 2908



PART NUMBER	L +.000 [+0.000] -.030 [-0.76]
21904	.250 [6.35]
21906	.375 [9.52]
21908	.500 [12.70]
21910	.625 [15.87]
21912	.750 [19.04]
21914	.875 [22.21]
21916	1.000 [25.40]
PART NUMBER	L +.000 [+0.000] -.040 [-1.02]
21918	1.125 [28.56]

**KEYSTONE ELECTRONICS CORP.**

www.keyelco.com • NEW HYDE PARK, NY 11040 • Tel (516) 328-7500

PART NAME

SOCKET HEAD SCREW

MATERIAL

TITANIUM, GRADE 2

FINISH

NONE

DRN BY

NT

DATE

9.10.20

APP'D

RH

SCALE

2X

TOLERANCES

INCH [MM]

DECIMAL ± .005 [± 0.13]

ANGULAR ± 1°

UNLESS OTHERWISE SPECIFIED

CODE

C

DWG NO.

21904 - 21918

DATE

DESCRIPTION

REV.