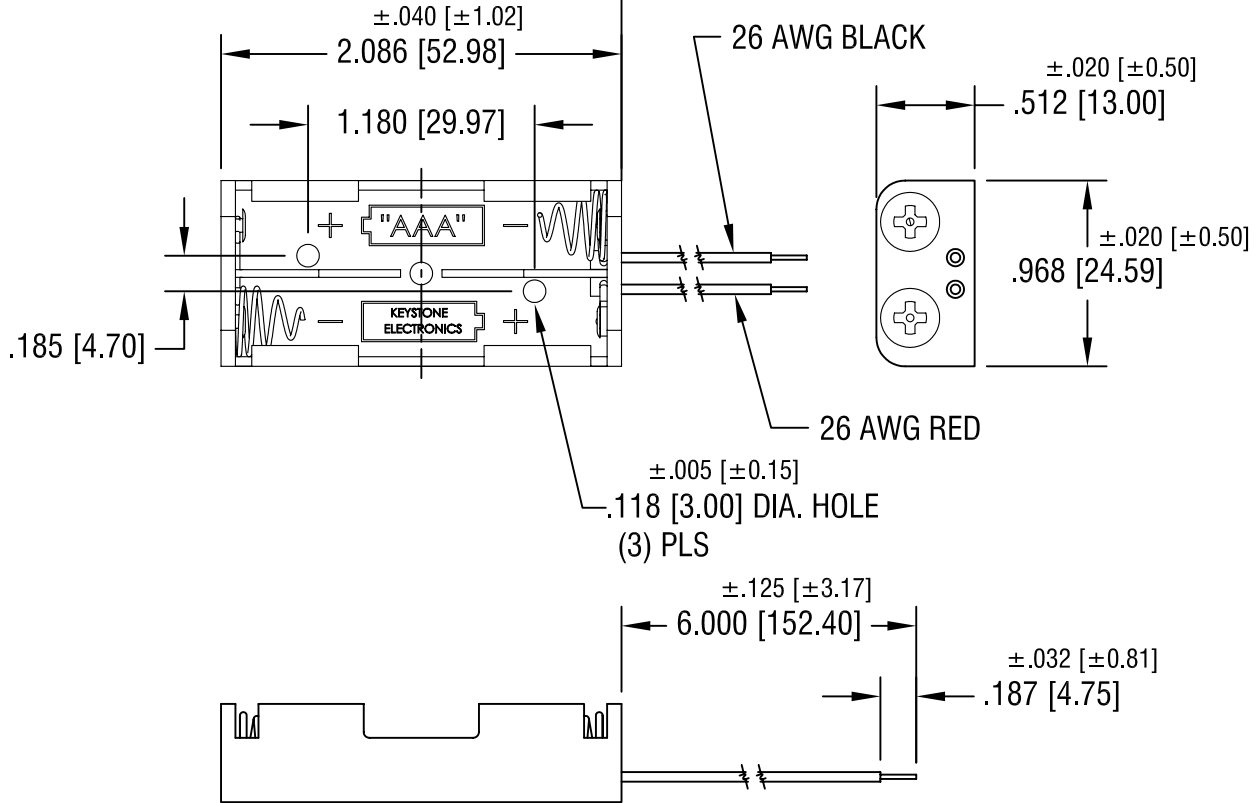
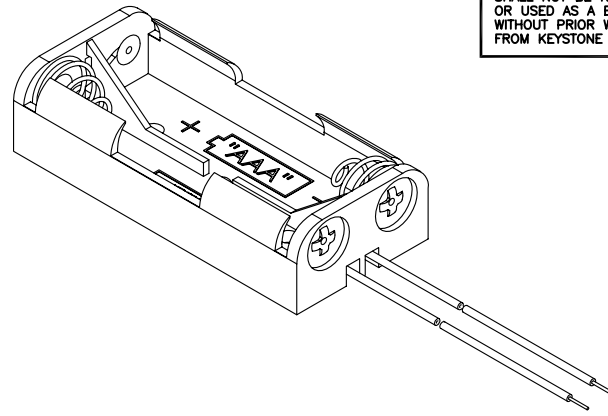
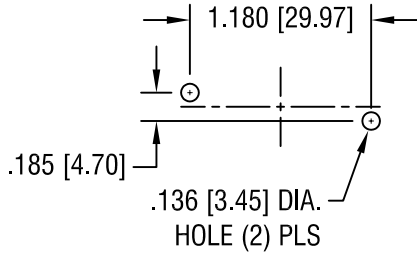


THIS DOCUMENT IS THE PROPERTY OF  
KEYSTONE ELECTRONICS CORP. AND  
SHALL NOT BE REPRODUCED, DISTRIBUTED  
OR USED AS A BASIS FOR MANUFACTURE  
WITHOUT PRIOR WRITTEN PERMISSION  
FROM KEYSTONE ELECTRONICS CORP.

**MOUNTING DETAIL**



**NOTE:**

- 1. HOLDER: MAT'L: POLYPROPYLENE
- SPRING: MAT'L: MUSIC WIRE, .024 [0.60] DIA.
- FINISH: NICKEL PLATE

**KEYSTONE ELECTRONICS CORP.**

ASTORIA, N.Y. 11105-2017

PART NAME				BATTERY HOLDER (2) 'AAA'			
MATERIAL				AS NOTED			
FINISH		AS NOTED		DRN BY	BOONE	DATE	10.11.95
TOLERANCES		INCH [MM]		APP'D	LN	SCALE	1X
DECIMAL		± .015 [± 0.38]		DWG NO.		2469	
ANGULAR		± 1°		CODE		C/M	
UNLESS OTHERWISE SPECIFIED							

9.13.08	CHANGE AS PER ECN 08-154	D
8.24.05	CHANGE AS PER ECN 05-060	C
DATE	DESCRIPTION	REV.