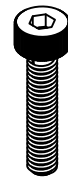
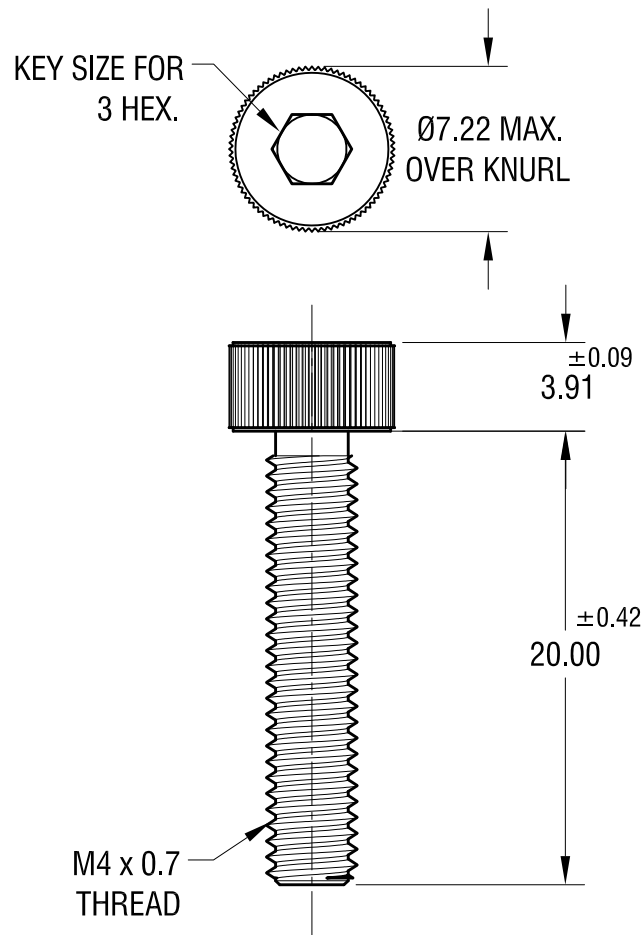


THIS DOCUMENT IS THE PROPERTY OF
KEYSTONE ELECTRONICS CORP. AND
SHALL NOT BE REPRODUCED, DISTRIBUTED
OR USED AS A BASIS FOR MANUFACTURE
WITHOUT PRIOR WRITTEN PERMISSION
FROM KEYSTONE ELECTRONICS CORP.

ACTUAL SIZE



NOTE:

1. ALL DIMENSIONS ARE IN MILLIMETERS

KEYSTONE ELECTRONICS CORP.

www.keyelco.com • NEW HYDE PARK, NY 11040 • Tel (516) 328-7500

PART NAME

SOCKET HEAD SCREW

MATERIAL

TITANIUM, GRADE 2

FINISH

NONE

DRN BY

NT

DATE

10.31.19

APP'D

RH

SCALE

3X

TOLERANCES

INCH

[MM]

CODE

DWG NO.

DECIMAL

±

[± 0.13]

C

ANGULAR ± 1°

UNLESS OTHERWISE SPECIFIED

25043

DATE

DESCRIPTION

REV.