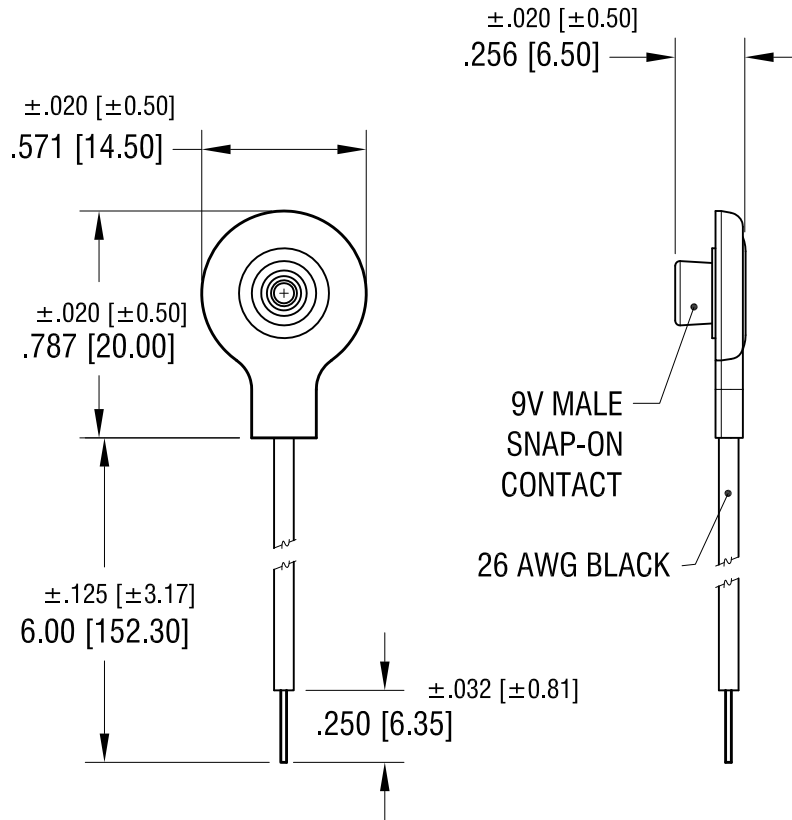
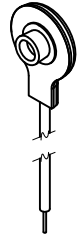


THIS DOCUMENT IS THE PROPERTY OF KEYSTONE ELECTRONICS CORP. AND SHALL NOT BE REPRODUCED, DISTRIBUTED OR USED AS A BASIS FOR MANUFACTURE WITHOUT PRIOR WRITTEN PERMISSION FROM KEYSTONE ELECTRONICS CORP.



NOTE:

1. MAT'L - WIRE: 26 AWG, 1007 UL/CSA APPROVED
2. CONTACTS: BRASS, NICKEL PLATE
3. INSULATION : VINYL .012 [0.30] MINIMUM THICKNESS

| | | |
|---------|--|------|
| 2.09.21 | INSULATION WAS PVC CHANGE AS PER ECN 21-016 | A |
| DATE | DESCRIPTION | REV. |

| | | | |
|--|---------------------------|-----------------------|------------|
| KEYSTONE ELECTRONICS CORP. | | | |
| www.keyelco.com • NEW HYDE PARK, NY 11040 • Tel (516) 328-7500 | | | |
| PART NAME | | 9V BATTERY CONNECTORS | |
| MATERIAL | | AS NOTED | |
| FINISH | | DRN BY | DATE |
| AS NOTED | | NT | 7.24.18 |
| | | APP'D | SCALE |
| | | LN | 1.5X |
| TOLERANCES | INCH [MM] | CODE | DWG NO. |
| DECIMAL | $\pm .010$ [± 0.25] | C | 268 |
| ANGULAR | $\pm 1^\circ$ | | |
| UNLESS OTHERWISE SPECIFIED | | | |