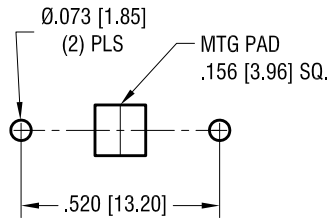
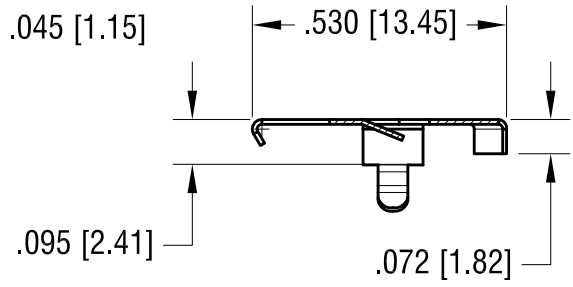
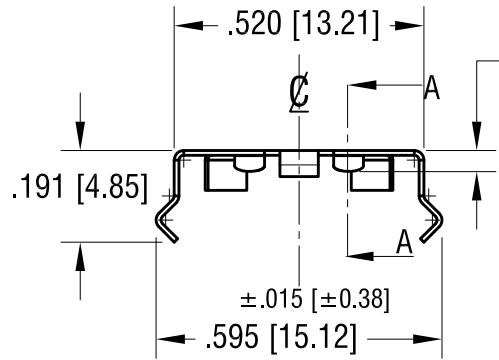
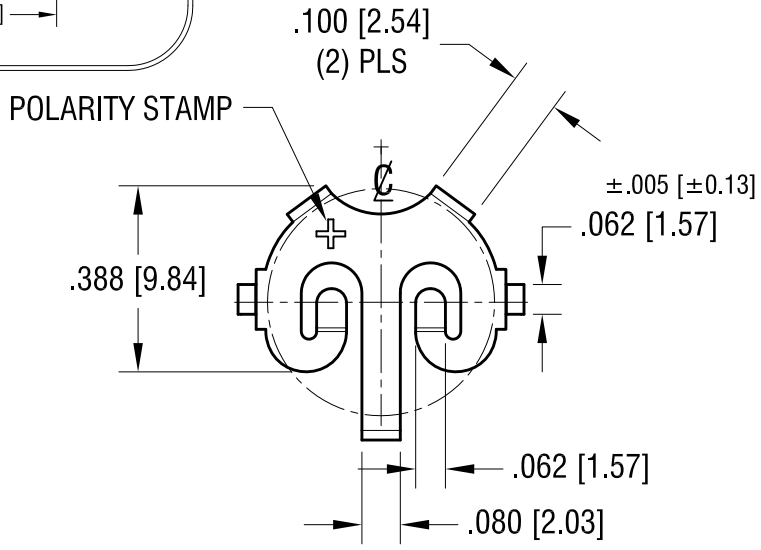


THIS DOCUMENT IS THE PROPERTY OF KEYSTONE ELECTRONICS CORP. AND SHALL NOT BE REPRODUCED, DISTRIBUTED OR USED AS A BASIS FOR MANUFACTURE WITHOUT PRIOR WRITTEN PERMISSION FROM KEYSTONE ELECTRONICS CORP.

**MTG LAYOUT**



**ACTUAL SIZE**



**SECTION A-A**

**KEYSTONE ELECTRONICS CORP.**

www.keyelco.com • NEW HYDE PARK, NY 11040 • Tel (516) 328-7500

PART NAME  
**CR1220 COIN CELL THM RETAINER**

MATERIAL  
**.010 [0.25] TH'K PHOSPHOR BRONZE**

FINISH <b>TIN NICKEL PLATE</b>	DRN BY <b>NT</b>	DATE <b>9.19.18</b>
	APP'D <b>RH</b>	SCALE <b>2.5X</b>

5.13.19	REMOVE DIMPLES CHANGE AS PER ECN 19-052	A
---------	--	---

TOLERANCES	INCH [MM]	CODE	DWG NO.
DECIMAL	± .010 [± 0.25]	C	<b>2895</b>
ANGULAR	± 1°		
UNLESS OTHERWISE SPECIFIED			

DATE	DESCRIPTION	REV.
------	-------------	------