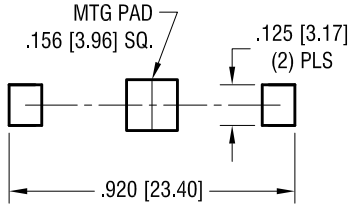
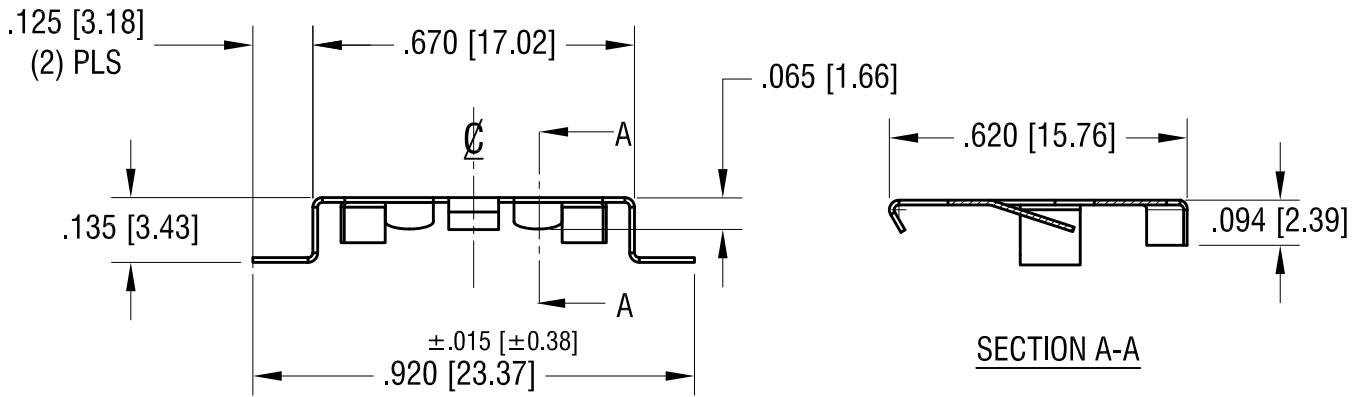
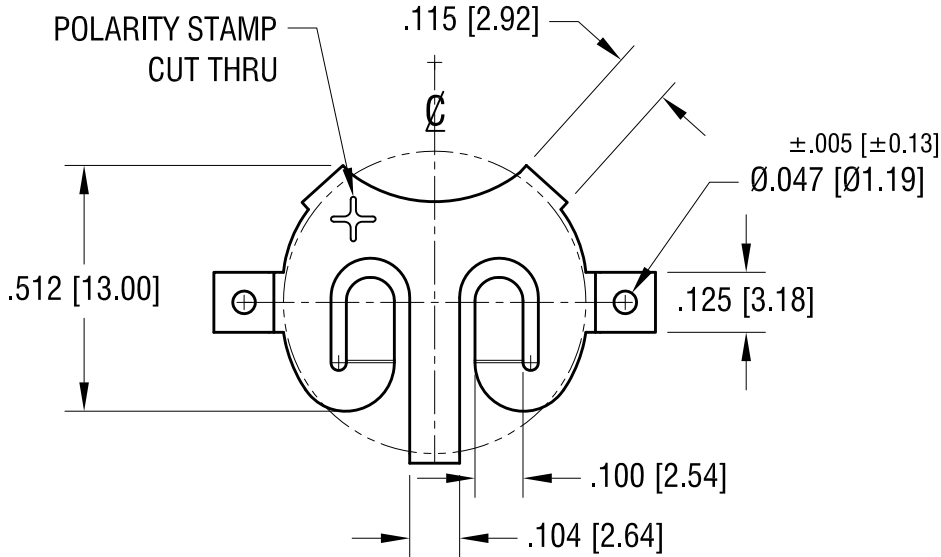


THIS DOCUMENT IS THE PROPERTY OF
KEYSTONE ELECTRONICS CORP. AND
SHALL NOT BE REPRODUCED, DISTRIBUTED
OR USED AS A BASIS FOR MANUFACTURE
WITHOUT PRIOR WRITTEN PERMISSION
FROM KEYSTONE ELECTRONICS CORP.

MTG LAYOUT



ACTUAL SIZE



5.13.19	REMOVE DIMPLES CHANGE AS PER ECN 19-051	A
DATE	DESCRIPTION	REV.

KEYSTONE ELECTRONICS CORP.			
www.keyelco.com • NEW HYDE PARK, NY 11040 • Tel (516) 328-7500			
PART NAME 1632 COIN CELL SM RETAINER			
MATERIAL .010 [0.25] TH'K PHOSPHOR BRONZE			
FINISH TIN NICKEL PLATE		DRN BY NT	DATE 9.19.18
		APP'D RH	SCALE 2.5X
TOLERANCES	INCH [MM]	CODE	DWG NO.
DECIMAL	±.010 [±0.25]	C	2896
ANGULAR	± 1°		
UNLESS OTHERWISE SPECIFIED			