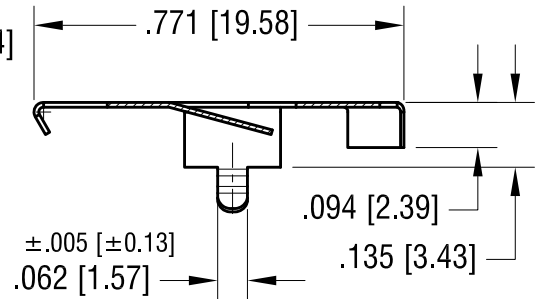
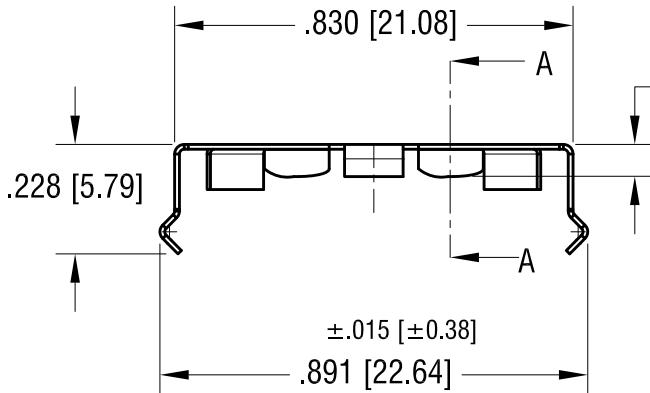
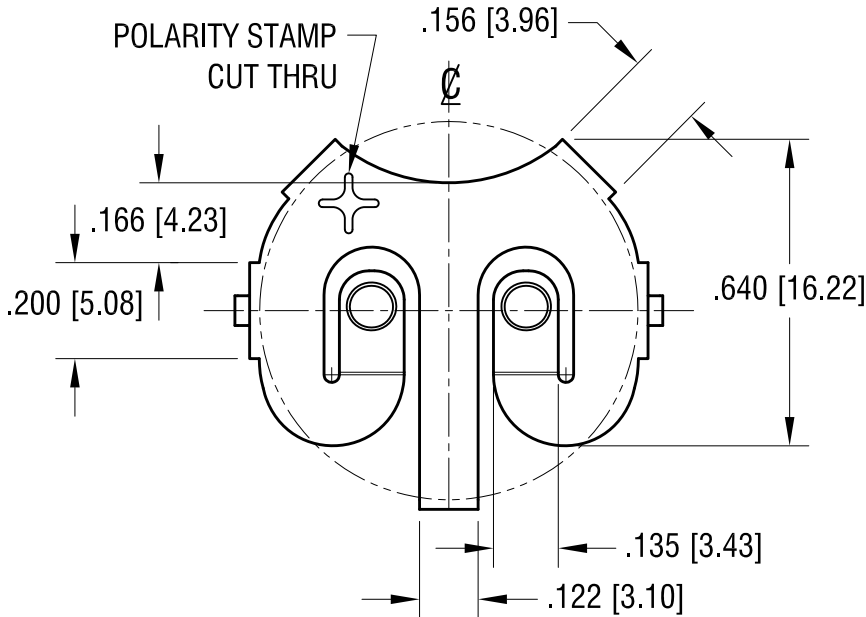
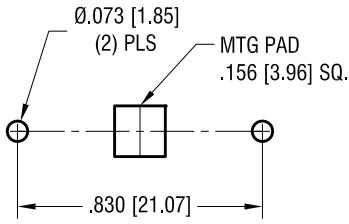


THIS DOCUMENT IS THE PROPERTY OF KEYSTONE ELECTRONICS CORP. AND SHALL NOT BE REPRODUCED, DISTRIBUTED OR USED AS A BASIS FOR MANUFACTURE WITHOUT PRIOR WRITTEN PERMISSION FROM KEYSTONE ELECTRONICS CORP.

**ACTUAL SIZE**



**MTG LAYOUT**



**SECTION A-A**

**KEYSTONE ELECTRONICS CORP.**

www.keyelco.com • NEW HYDE PARK, NY 11040 • Tel (516) 328-7500

PART NAME

2032 COIN CELL THM RETAINER

MATERIAL

.010 [0.25] TH'K PHSPHOR BRONZE

FINISH

TIN NICKEL PLATE

DRN BY

NT

DATE

9.19.18

APP'D

RH

SCALE

2.5X

TOLERANCES

INCH [MM]

DECIMAL

±.010 [±0.25]

ANGULAR

± 1°

UNLESS OTHERWISE SPECIFIED

CODE

C

DWG NO.

2899

REMOVE DIMPLES

CHANGE AS PER ECN 19-053

5.13.19

A

DATE

DESCRIPTION

REV.