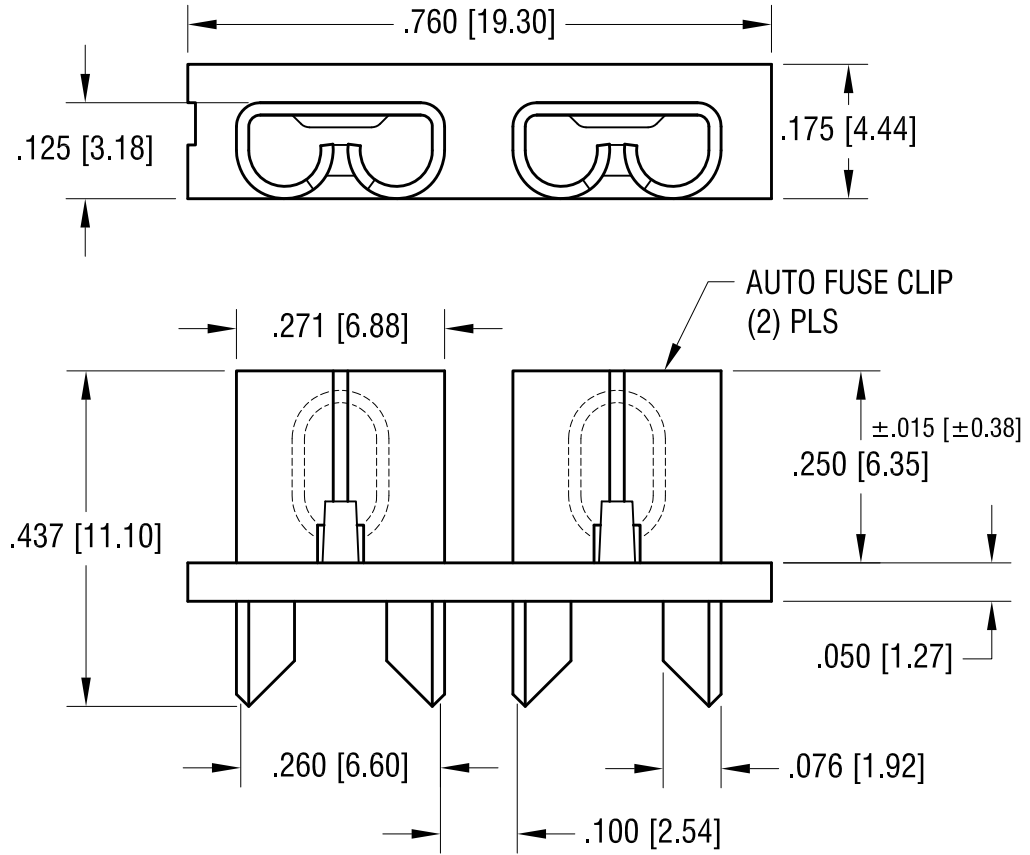
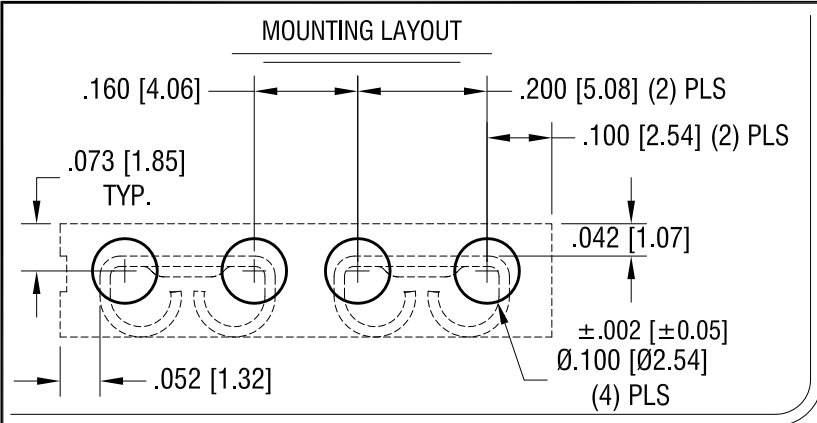
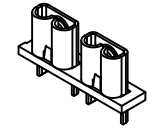


THIS DOCUMENT IS THE PROPERTY OF KEYSTONE ELECTRONICS CORP. AND SHALL NOT BE REPRODUCED, DISTRIBUTED OR USED AS A BASIS FOR MANUFACTURE WITHOUT PRIOR WRITTEN PERMISSION FROM KEYSTONE ELECTRONICS CORP.

ACTUAL SIZE



NOTE:
 CLIP: .016 [0.40] TH'K BRASS, TIN NICKEL PLATE
 BASE: MAT'L: NYLON 66/6, UL 94V-0
 CURRENT RATING: 20 AMPS
 VOLTAGE RATING: 500VAC
 TEMPERATURE RATING: -58°F TO +292°F
 (-50°C TO +145°C)

DATE	DESCRIPTION	REV.
11.03.15	CHANGE AS PER ECN15-130	H
8.18.15	CHANGE AS PER ECN15-079	G
3.0512	CHANGE AS PER ECN 12-029	F
8.18.06	CHANGE AS PER ECN 06-046	E
9.21.04	CHANGE AS PER ECN 04-121	D

KEYSTONE ELECTRONICS CORP.			
www.keyelco.com • ASTORIA, N.Y. 11105-2017 • Tel (718) 956-8900			
PART NAME		PC AUTO FUSE SOCKET	
MATERIAL		AS NOTED	
FINISH		AS NOTED	
TOLERANCES		INCH	[MM]
DECIMAL		± .005	[± 0.15]
ANGULAR		± 1°	
UNLESS OTHERWISE SPECIFIED			
DRN BY	BOONE	DATE	10.5.92
APP'D	LN	SCALE	4X
CODE	C	DWG NO.	3522-2