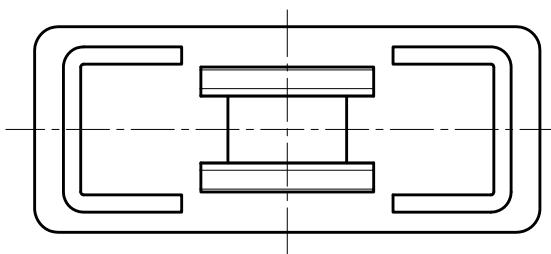
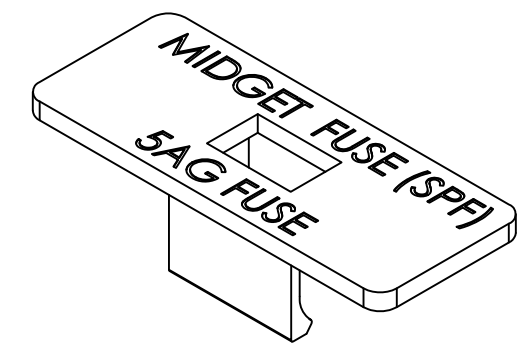
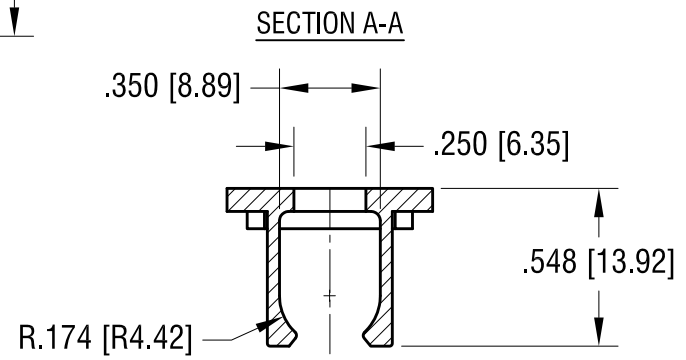
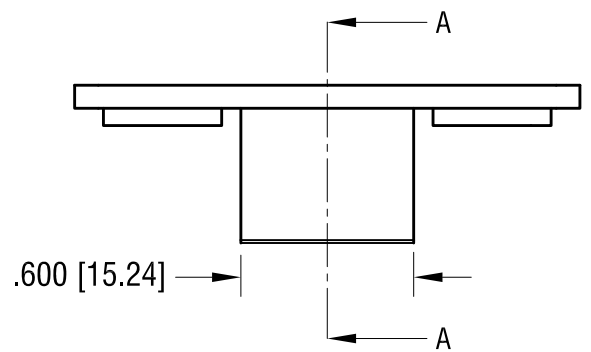
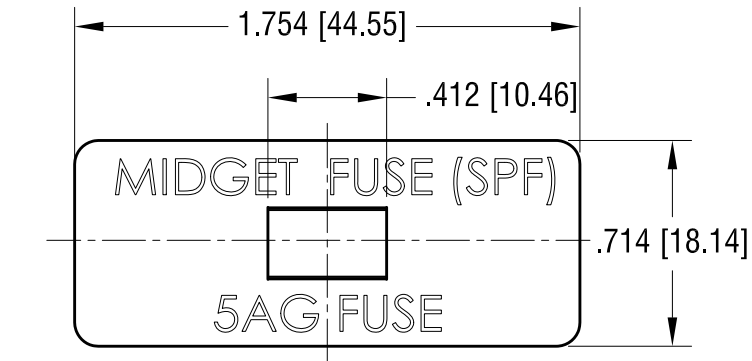


DATE	DESCRIPTION	REV.
6.14.11	CHANGE AS PER ECN 11-084	A
2.13.12	CHANGE AS PER ECN 12-018	B



THIS DOCUMENT IS THE PROPERTY OF KEYSTONE ELECTRONICS CORP. AND SHALL NOT BE REPRODUCED, DISTRIBUTED OR USED AS A BASIS FOR MANUFACTURE WITHOUT PRIOR WRITTEN PERMISSION FROM KEYSTONE ELECTRONICS CORP.

KEYSTONE ELECTRONICS CORP.			
www.keyelco.com • ASTORIA, N.Y. 11105-2017 • Tel (718) 956-8900			
PART NAME		FUUSE COVER	
MATERIAL		NYLON (BLACK COLOR)	
FINISH	DRN BY	DATE	
AS NOTED	NT	6.09.11	
	APPD	SCALE	
	LN	1.5X	
TOLERANCES	INCH [MM]	CODE	DWG NO.
DECIMAL	± .005 [± 0.13]	C	3576C
ANGULAR	± 1°		
UNLESS OTHERWISE SPECIFIED			