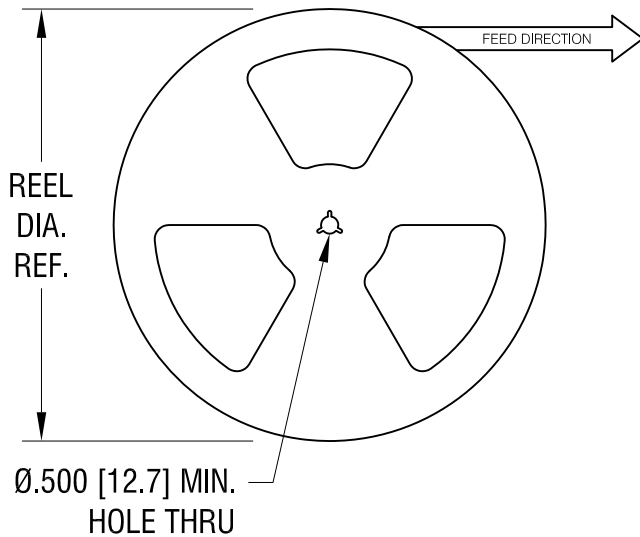
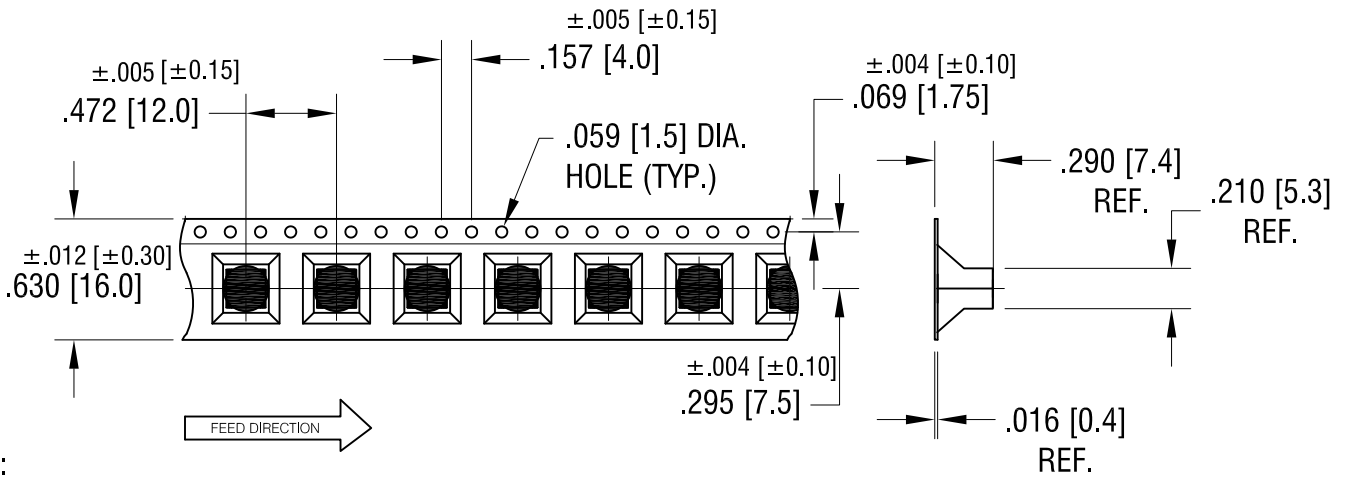
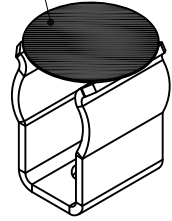


THIS DOCUMENT IS THE PROPERTY OF KEYSTONE ELECTRONICS CORP. AND SHALL NOT BE REPRODUCED, DISTRIBUTED OR USED AS A BASIS FOR MANUFACTURE WITHOUT PRIOR WRITTEN PERMISSION FROM KEYSTONE ELECTRONICS CORP.



KAPTON TAPE APPLIED TO TOP OF EACH FUSE CLIP FOR VACUUM PICK



NOTES:

TAPE AND REEL SPECIFICATIONS:

1. TAPE:

MAT'L - ALL CONDUCTIVE POLYSTYRENE CARRIER  
ANSI/EIA-481 STANDARD  
.630 [16.0] WIDE; .472 [12.0] PITCH

2. REEL:

13.0 [330.2] DIA. 700 PIECES OF  
PART NO. 3622 PER REEL.

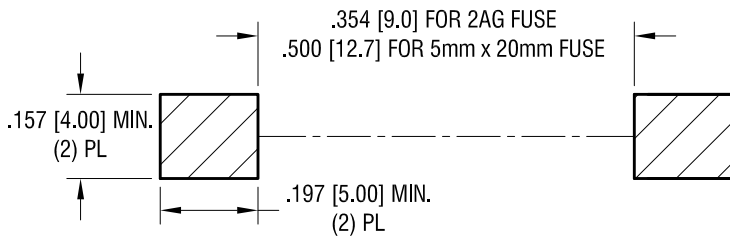
3. KAPTON TAPE TO BE APPLIED TO TOP

SURFACE OF FUSE CLIP FOR VACUUM PICK AND PLACE

10.16.17	KAPTON TAPE WAS SQUARE CHANGE AS PER ECN 17-060	A
DATE	DESCRIPTION	REV.

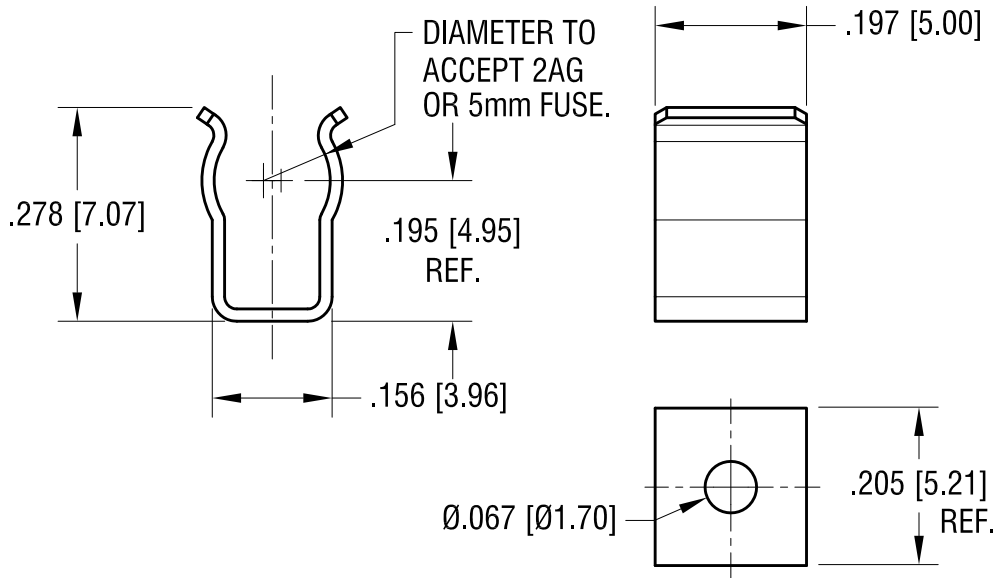
<b>KEYSTONE ELECTRONICS CORP.</b>			
www.keyelco.com • NEW HYDE PARK, NY 11040 • Tel (516) 328-7500			
PART NAME 2AG/5mm SURFACE MOUNT FUSE, ON TAPE			
MATERIAL AS NOTED			
FINISH AS NOTED		DRN BY NT	DATE 4.05.17
		APP'D LN	SCALE X
TOLERANCES	INCH [MM]	CODE	DWG NO.
DECIMAL	± .015 [± 0.38]	C	3622KTR
ANGULAR	± 1°		
UNLESS OTHERWISE SPECIFIED			

**PAD LAYOUT**



THIS DOCUMENT IS THE PROPERTY OF KEYSTONE ELECTRONICS CORP. AND SHALL NOT BE REPRODUCED, DISTRIBUTED OR USED AS A BASIS FOR MANUFACTURE WITHOUT PRIOR WRITTEN PERMISSION FROM KEYSTONE ELECTRONICS CORP.

**ACTUAL SIZE**



4.11.17	CHANGE AS PER ECN 17-034	B
2.03.16	CHANGE AS PER ECN 16-023	A
DATE	DESCRIPTION	REV.

<b>KEYSTONE ELECTRONICS CORP.</b>			
www.keyelco.com • ASTORIA, N.Y. 11105-2017 • Tel (718) 956-8900			
PART NAME			
2AG/5mm SURFACE MOUNT FUSE CLIP			
MATERIAL			
.016 [0.40] TH'K BRASS			
FINISH		DRN BY	DATE
MATTE TIN PLATE		NT	1.31.11
		APP'D	SCALE
		LN	4X
TOLERANCES	INCH [MM]	CODE	DWG NO.
DECIMAL	± .005 [± 0.13]	C	<b>3622</b>
ANGULAR	± 1°		
UNLESS OTHERWISE SPECIFIED			