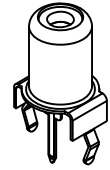
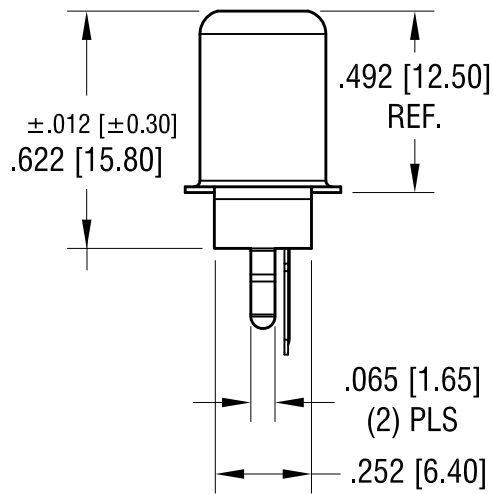
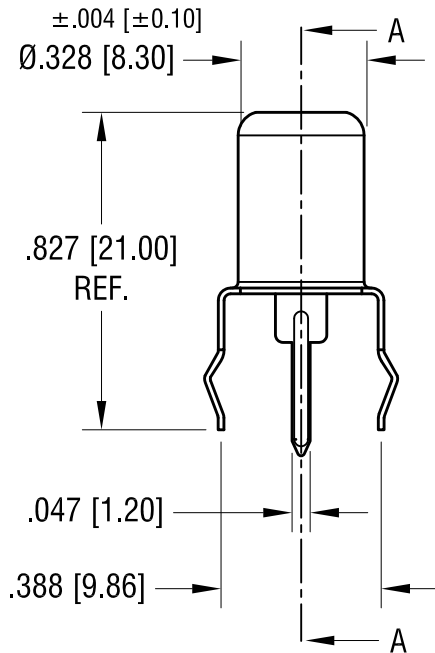
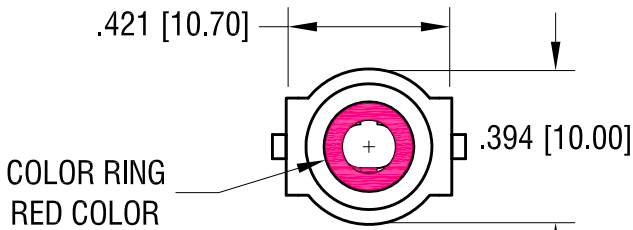
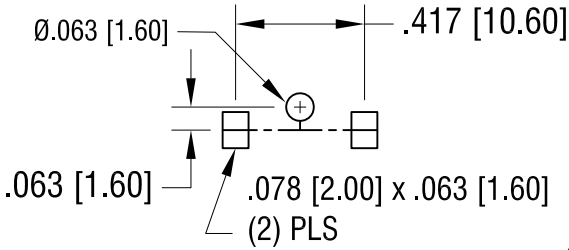


THIS DOCUMENT IS THE PROPERTY OF
KEYSTONE ELECTRONICS CORP. AND
SHALL NOT BE REPRODUCED, DISTRIBUTED
OR USED AS A BASIS FOR MANUFACTURE
WITHOUT PRIOR WRITTEN PERMISSION
FROM KEYSTONE ELECTRONICS CORP.

ACTUAL SIZE



MOUNTING DETAIL



- NOTES: 1. SHELL: MAT'L - BRASS
FINISH: - TIN PLATE
2. CONTACT: MAT'L - BRASS
FINISH: - TIN PLATE
3. INSULATORS: PBT, RED.
4. BASE: MAT'L: STEEL, FINISH: TIN PLATE.

11.19.25	UPDATED DIMENSIONS.	C
10.22.21	GEN. TOLERANCE WAS ±.005 B1 WAS .680, B2 WAS 540 B3 WAS .065, B4 WAS .050 SHELL MAT'L WAS STEEL, NICKEL PL. CHANGE AS PER ECN 21-120	B
9.02.15	ADD ±.010 TO A4, A5 A3 WAS .070, REMOVE OVERALL H. ADD A1 , A2 WAS .519 CHANGE AS PER ECN 15-087	A
DATE	DESCRIPTION	REV.

KEYSTONE ELECTRONICS CORP.			
www.keyelco.com • NEW HYDE PARK NY 11040 • Tel (516)328-7500			
PART NAME SNAP-FIT VERTICAL PC PHONO JACK			
MATERIAL AS NOTED			
FINISH AS NOTED		DRN BY BOONE	DATE 7.20.05
		APP'D RH	SCALE 2X
TOLERANCES	INCH [MM]	CODE	DWG NO.
DECIMAL	± .012 [± 0.30]	C	577
ANGULAR	± 1°		
UNLESS OTHERWISE SPECIFIED			