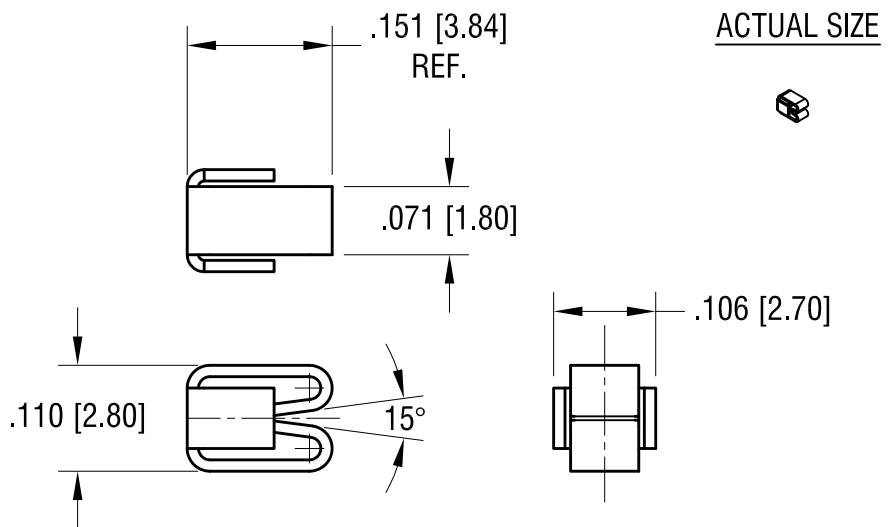
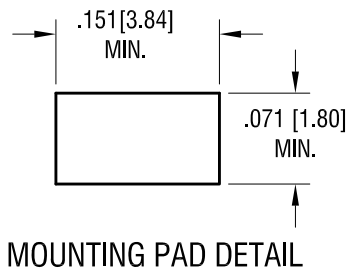
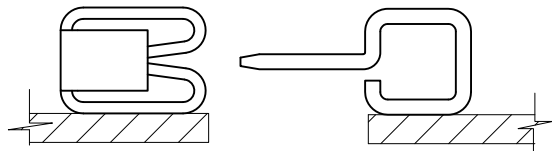
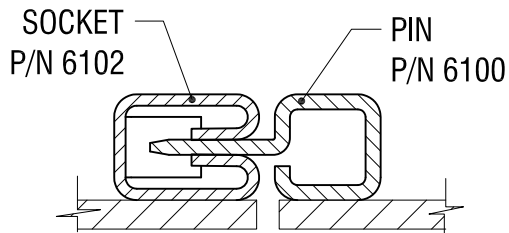
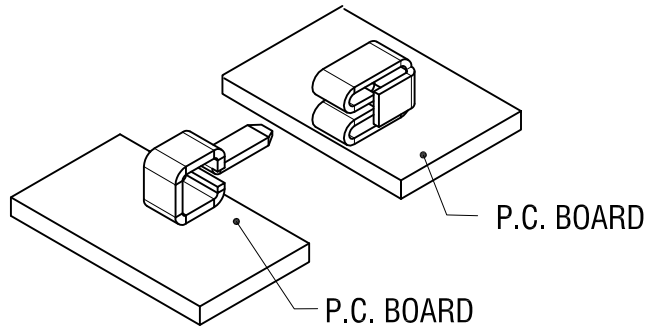
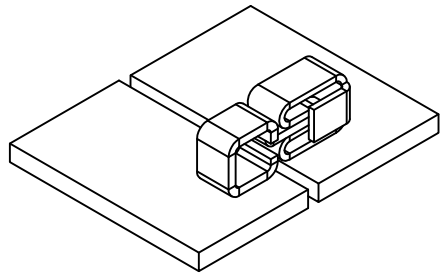


THIS DOCUMENT IS THE PROPERTY OF KEYSTONE ELECTRONICS CORP. AND SHALL NOT BE REPRODUCED, DISTRIBUTED OR USED AS A BASIS FOR MANUFACTURE WITHOUT PRIOR WRITTEN PERMISSION FROM KEYSTONE ELECTRONICS CORP.



<b>KEYSTONE ELECTRONICS CORP.</b>			
www.keyelco.com • NEW HYDE PARK, NY 11040 • Tel (516) 328-7500			
PART NAME			
PARALLEL FITTING SM SOCKET			
MATERIAL			
.012 [0.30] TH'K PHOSPHOR BRONZE			
FINISH		DRN BY	DATE
GOLD PLATE		NT	3.04.19
		APP'D	SCALE
		LN	5X
TOLERANCES	INCH	[MM]	CODE
DECIMAL	± .005	[± 0.13 ]	C
ANGULAR	± 1°		
UNLESS OTHERWISE SPECIFIED			DWG NO.
			<b>6102</b>

DATE	DESCRIPTION	REV.
------	-------------	------