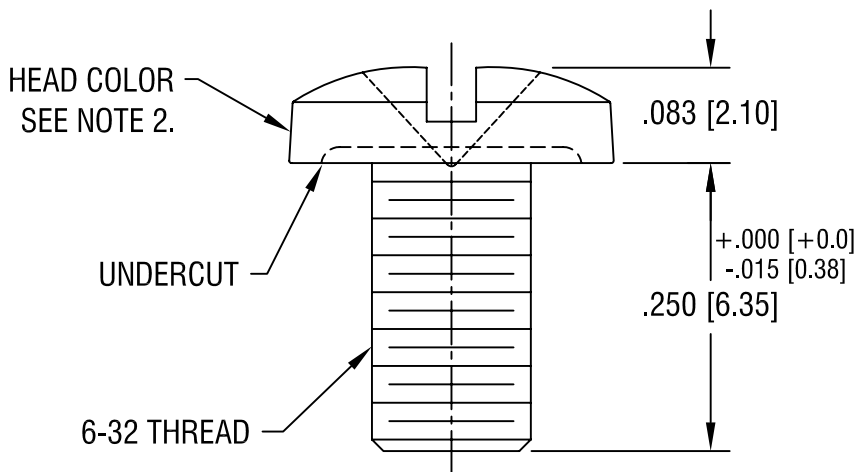
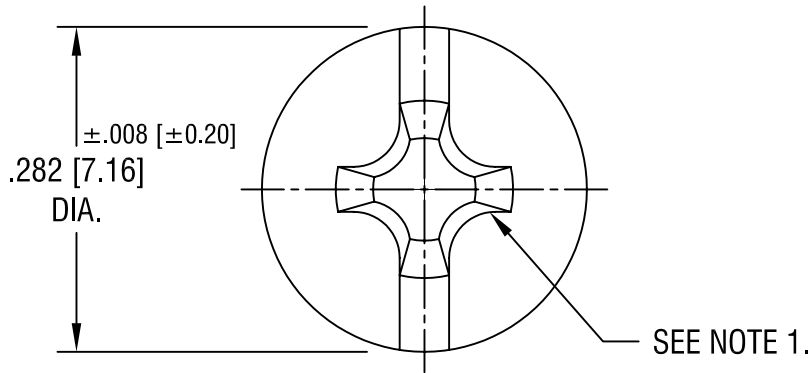


THIS DOCUMENT IS THE PROPERTY OF  
KEYSTONE ELECTRONICS CORP. AND  
SHALL NOT BE REPRODUCED, DISTRIBUTED  
OR USED AS A BASIS FOR MANUFACTURE  
WITHOUT PRIOR WRITTEN PERMISSION  
FROM KEYSTONE ELECTRONICS CORP.



PART NO.	HEAD COLOR
9190-2	RED
9190-3	BLACK
9190-4	WHITE
9190-5	BLUE
9190-6	GREEN
9190-7	YELLOW

NOTE:

1. TO ACCEPT STANDARD SLOT OR PHILLIPS DRIVE.
2. HEAD OF SCREW IS POWDER COATED WITH COLOR AS INDICATED IN CHART.

**KEYSTONE ELECTRONICS CORP.**

ASTORIA, N.Y. 11105-2017

PART NAME <b>COMBINATION BINDING HEAD SCREW</b>			
MATERIAL <b>BRASS</b>			
FINISH <b>NICKEL PLATE</b>		DRN BY <b>BOONE</b>	DATE <b>10.8.03</b>
		APP'D <b>LN</b>	SCALE <b>6X</b>
TOLERANCES INCH [MM] DECIMAL $\pm .005$ [ $\pm 0.15$ ] ANGULAR $\pm 1^\circ$ UNLESS OTHERWISE SPECIFIED		CODE <b>C</b>	DWG NO. <b>9190-2 - 9190-7</b>

1.3.08	CHANGE AS PER ECN 08-019	A
DATE	DESCRIPTION	REV.