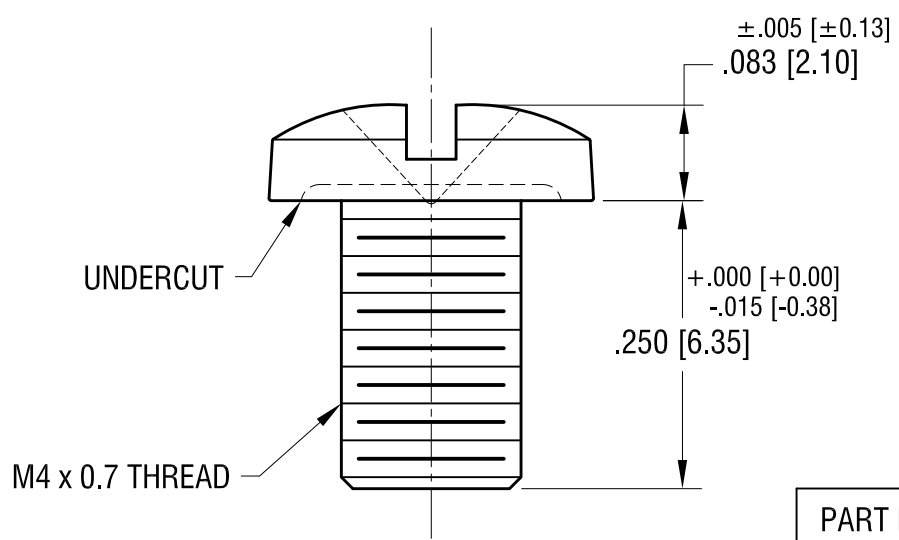
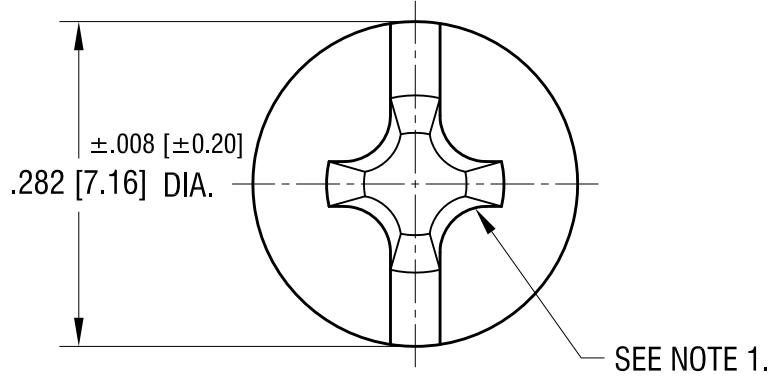


THIS DOCUMENT IS THE PROPERTY OF  
KEYSTONE ELECTRONICS CORP. AND  
SHALL NOT BE REPRODUCED, DISTRIBUTED  
OR USED AS A BASIS FOR MANUFACTURE  
WITHOUT PRIOR WRITTEN PERMISSION  
FROM KEYSTONE ELECTRONICS CORP.



PART NO.	HEAD COLOR
9192-2	RED
9192-3	BLACK
9192-4	WHITE
9192-5	BLUE
9192-6	GREEN
9192-7	YELLOW

**NOTE:**

1. TO ACCEPT STANDARD SLOT OR PHILLIPS DRIVE.
2. HEAD OF SCREW IS POWDER COATED WITH COLOR AS INDICATED IN CHART.

**KEYSTONE ELECTRONICS CORP.**  
www.keyelco.com • ASTORIA, N.Y. 11105-2017 • Tel (718) 956-8900

PART NAME  
**METRIC COMBINATION BINDING HD SCREW**

MATERIAL  
**BRASS**

FINISH <b>NICKEL PLATE</b>	DRN BY NT	DATE 6.03.15
	APP'D LN	SCALE 6X

TOLERANCES INCH [MM]  
DECIMAL ± .005 [± ]  
ANGULAR ± 1°  
UNLESS OTHERWISE SPECIFIED

CODE  
C

DWG NO.  
**9192-2 -9192-7**

DATE	DESCRIPTION	REV.