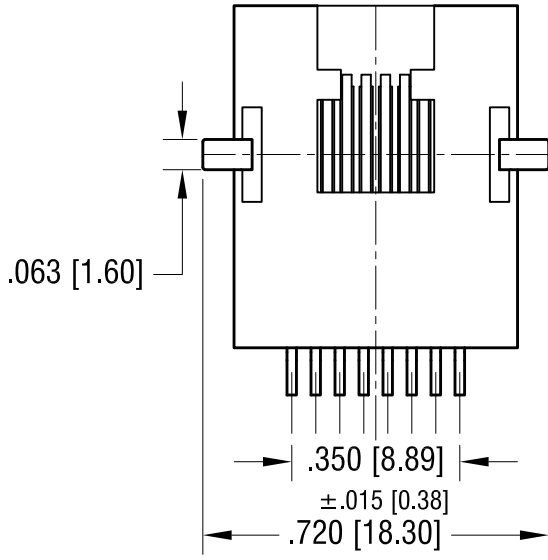
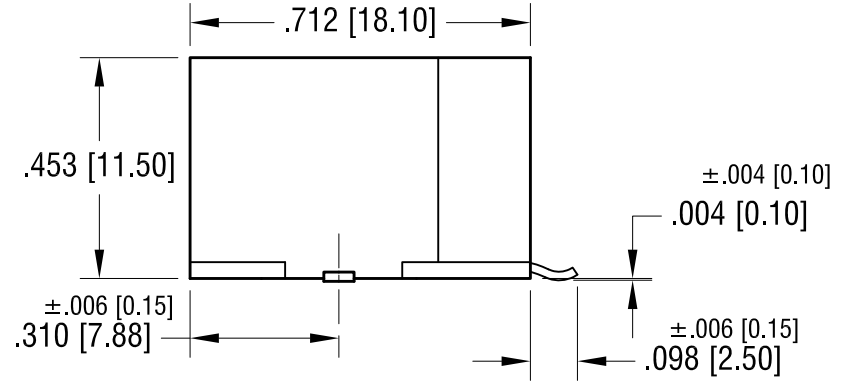
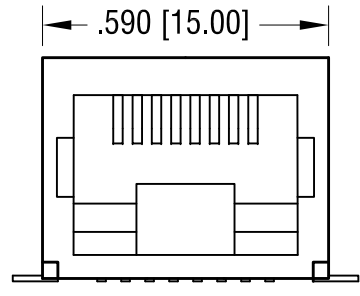
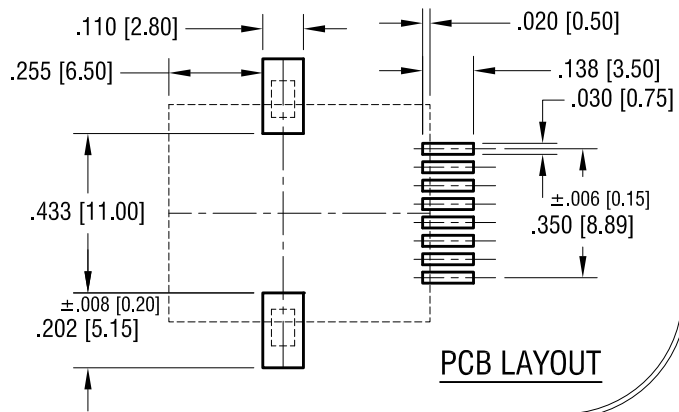
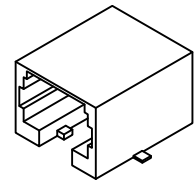


THIS DOCUMENT IS THE PROPERTY OF KEYSTONE ELECTRONICS CORP. AND SHALL NOT BE REPRODUCED, DISTRIBUTED OR USED AS A BASIS FOR MANUFACTURE WITHOUT PRIOR WRITTEN PERMISSION FROM KEYSTONE ELECTRONICS CORP.

**ACTUAL SIZE**



**NOTE:**

1. PLASTIC HOUSING:  
MAT'L- HIGH TEMP. THERMOPLASTIC  
RATED UL 94V-0, COLOR- BLACK
2. CONTACT: MAT'L: .014 [0.35] TH'K PHOSPHOR BRONZE  
FINISH- GOLD PLATE, OVER NICKEL ON CONTACT  
TIN, OVER COPPER ON SOLDER TAILS
3. DIELECTRIC WITHSTANDING VOLTAGE:  
1000 VAC FOR 1 MIN.
4. STORAGE TEMPERATURE:  
-40°F (-40°C) TO +176°F (+85°C)  
OPERATION TEMPERATURE:  
-4°F (-20°C) TO 167°F (+75°C)
5. VOLTAGE RATING: 125 VAC Rms.  
CURRENT RATING- 1.5 Amps  
CONTACT RESISTANCE- 30 mΩ MAX.  
INSULATION RESISTANCE-500 MΩ MIN. @500 VDC  
DIELECTRIC STRENGTH: 1000 VAC Rms 60Hz. 1Min.

**KEYSTONE ELECTRONICS CORP.**

www.keyelco.com • NEW HYDE PARK, NY 11040 • Tel (516) 328-7500

PART NAME			
SMT KEYSTONE JACK, 8P8C			
MATERIAL			
AS NOTED			
FINISH		DRN BY	DATE
AS NOTED		NT	3.31.15
		APP'D	SCALE
		RH	2.5X
TOLERANCES	INCH [MM]	CODE	DWG NO.
DECIMAL	± .005 [± 0.13]	C	944
ANGULAR	± 1°		
UNLESS OTHERWISE SPECIFIED			

2.08.21	UPDATE PER NEW TOOLING CHANGE AS PER ECN 21-015	A
DATE	DESCRIPTION	REV.